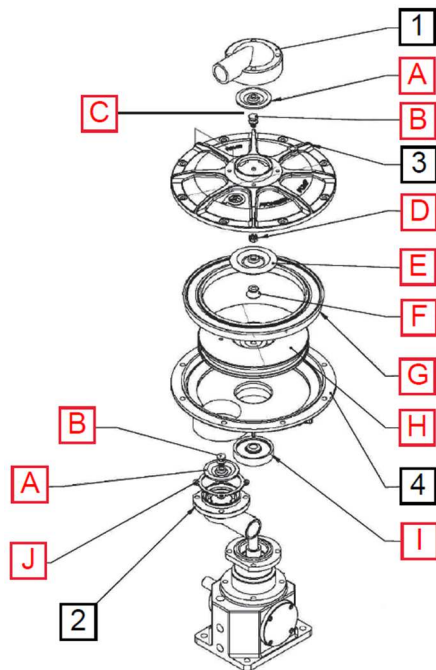


# SERVICE PARTS KITS

PUMP MODELS: ALL

The upper and lower vacuum pump rebuild kits are offered separately. We recommend ordering both kits for a major service.

PARTS DRAWING – 374000102 UPPER VACUUM PUMP KIT



374000102 – Upper Vacuum Pump Kit		
Qty.	Kit No.	Description
2	A	INLET/EXHAUST VALVE
2	B	INLET/EXHAUST VALVE STUD
1	C	COTTER PIN
1	D	CASTLE NUT
1	E	ACTUATOR VALVE
1	F	ACTUATOR WASHER
1	G	ACTUATOR SEAL
1	H	ACTUATOR
1	I	NECK SEAL
1	J	INLET NOZZLE GASKET
8	NOT SHOWN	HOUSING FASTENERS
1	NOT SHOWN	FLAT WASHER

Other Parts, Not Included in Kit			
Qty.	Item No.	Description	Part Number
1	1	EXHAUST NOZZLE	33617320
1	2	INLET NOZZLE	33617318
1	3	UPPER HOUSING	33617310
1	4	LOWER HOUSING	33617309

## ORDERING INFORMATION

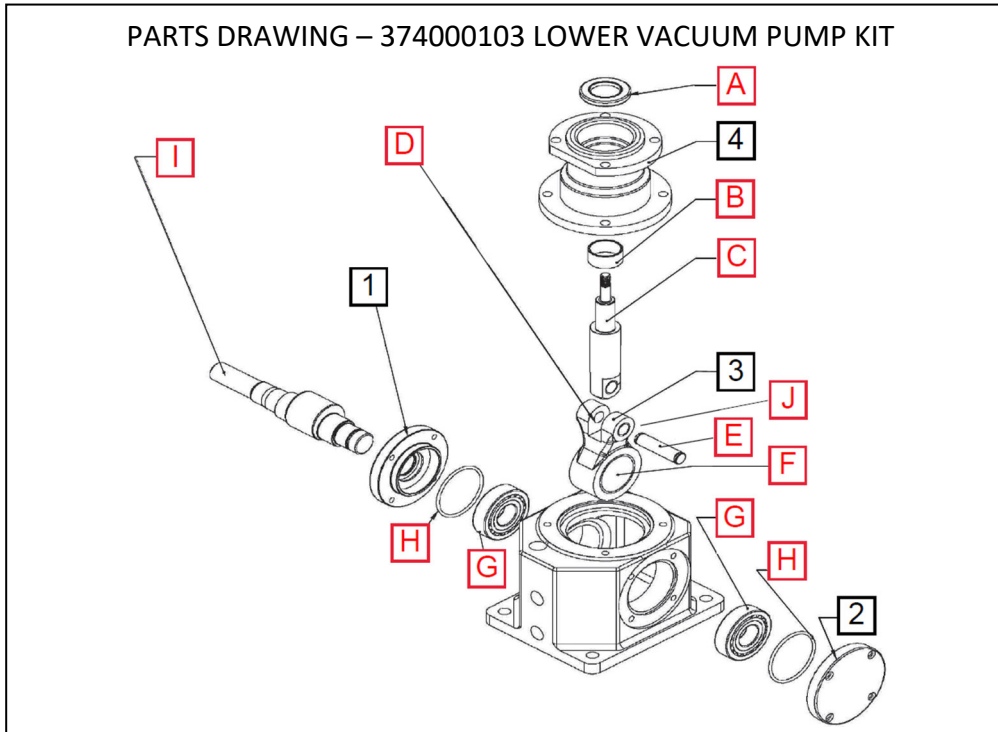
Most parts kits are in stock and available for shipment within 2 business days. You must have an active Franklin Electric account for order processing. Email orders to [PartsSales@pioneerpump.com](mailto:PartsSales@pioneerpump.com). For questions, please call Pioneer Pump at (503) 266-4115 or email us at the above email.

*NOTE: Part numbers listed reflect updated part numbers as of July 2022. Older documentation may have different part numbers. Please consult factory if differences appear. All parts included in kits are standard material. Please contact Pioneer Pump for any special requests regarding the material of component.*

# SERVICE PARTS KITS

PUMP MODELS: ALL

The upper and lower vacuum pump rebuild kits are offered separately. We recommend ordering both kits for a major service.



374000103 – Lower Vacuum Pump Kit		
Qty.	Kit No.	Description
1	A	ACTUATOR SHAFT LIP SEAL
1	B	GUIDE BUSHING, ACTUATOR SHAFT
1	C	ACTUATOR SHAFT WITH BUSHING
2	D	BUSHING, CONNECTING ROD, SMALL END
1	E	FULCRUM PIN
1	F	BUSHING, CONNECTING ROD, LARGE END
2	G	BEARINGS, SHAFT END
2	H	O-RINGS, BEARING CAP
1	I	CRANK SHAFT
1	J	RETAINING RING, FULCRUM PIN
1	Not Shown	LOCK NUT, BEARING
1	Not Shown	LOCKWASHER, BEARING
1	Not Shown	LIP SEAL, BEARING CAP
1	Not Shown	O-RING, PEDESTAL
1	Not Shown	OIL FLINGER
1	Not Shown	STUD ASSEMBLY (4 PK)

## ORDERING INFORMATION

Most parts kits are in stock and available for shipment within 2 business days.

You must have an active Franklin Electric account for order processing.

Email orders to [PartsSales@pioneerpump.com](mailto:PartsSales@pioneerpump.com)

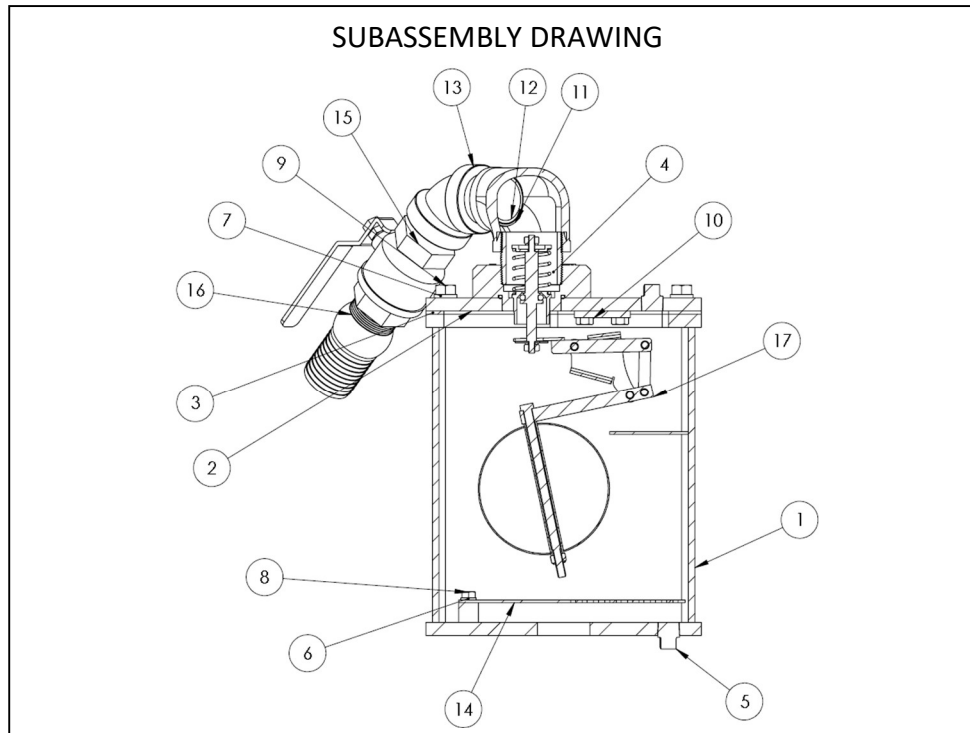
For questions, please call Pioneer Pump at (503) 266-4115 or email us at the above email.

Other Parts, Not Included in Kit			
Qty.	Kit No.	Description	Part Number
1	1	BEARING CAP, SHAFT END	33602316
1	2	BEARING CAP	33602317
1	3	CONNECTING ROD	33603314
1	4	PEDESTAL	33601312

*NOTE: Part numbers listed reflect updated part numbers as of July 2022. Older documentation may have different part numbers. Please consult factory if differences appear. All parts included in kits are standard material. Please contact Pioneer Pump for any special requests regarding the material of component.*

# SERVICE SUBASSEMBLIES

## MODELS: COMPACT PRIMING CHAMBER



Qty.	Kit No.	Description	Part Number
1	1	PRIMING CHAMBER	103156969
1	2	LID	104157207
1	3	GASKET, LID	318486974
1	4	VALVE, PRIMING, SUBASSY	106003704C
1	5	½" NPT PIPE PLUG	31138103
1	6	WASHER, SPLIT LOCK, 5/16" 304SS	37821213
1	7	WASHER, SPLIT LOCK, 1/2" PLATED	32839401
1	8	BOLT, 5/16-18 x 0.75" GR 5	37621031C075
1	9	BOLT, 1/2-13 x 1.25" GR 5	32632050C125
1	10	BOLT, 3/8-16 x 0.625" 304SS	37621038C062
1	11	ELBOW, 2" x 1-1/2" NPT, 90°	30838110
1	12	NIPPLE, 1-1/2" NPT, CLOSE	30638311
1	13	ELBOW, 1-1/2" NPT 45°	30838133
1	14	STRAINER PLATE	102216896
1	15	BALL VALVE, 1-1/2", BRONZE	32200102
1	16	KING NIPPLE 1-1/2" MPT x 2" HOSE	31638104
1	17	LINKAGE ASSEMBLY, GEN3 FIXED BALL	1060016945

### ORDERING INFORMATION

Most parts kits are in stock and available for shipment within 2 business days. You must have an active Franklin Electric account for order processing. Email orders to [PartsSales@pioneerpump.com](mailto:PartsSales@pioneerpump.com). For questions, please call Pioneer Pump at (503) 266-4115 or email us at the above email.

*NOTE: Part numbers listed reflect updated part numbers as of July 2022. Older documentation may have different part numbers. Please consult factory if differences appear. All parts included in kits are standard material. Please contact Pioneer Pump for any special requests regarding the material of component.*