



GS SERIES PUMPS

Designed for handling solids and clear liquids, the Pioneer GS Series is the next generation of self-priming pumps. This lineup of pumps offer superior performance, increased reliability, and additional ease-of-maintenance features.

FEATURES AND BENEFITS

- Rotating assembly utilizes a double-lip seal with atmospheric drain for additional bearing protection
- Simple, external shimless impeller adjustment from either the rotating assembly or cover plate allows for increased wear life and ease of adjusting tolerances
- Removable cover plate with convenient grip handle for ease of maintenance; incorporates jack bolts for aiding in removal
- Cartridge-type, oil-lubricated tungsten versus silicon carbide mechanical seal for simple installation and ease of maintenance
- 17-4 PH stainless steel shaft is corrosion-resistant, easy to maintain, and highly reliable
- Standard, heavy-wall volute for durability and peace of mind
- Semi-open, trash-handling, dynamically-balanced ductile iron impeller
- FKM O-rings allow for use in a wide range of applications
- Available in other alloys, including 316, and CD4MCu stainless steels



APPLICATIONS

- | | | |
|-------------------|--------------------|-------------------|
| • Industrial | • Wastewater | • Dewatering |
| • Municipal | • Mining | • Liquid transfer |
| • Construction | • Drilling mud | • Paper mills |
| • Oil field | • Industrial waste | • Manure slurry |
| • Agricultural | • Industrial sump | • Poultry / beef |
| • Sewage | • Petrochemical | |
| • Food processing | • Aeration | |

PERFORMANCE

- Sizes from 3"–10"
- Flows of 20–1,500 gpm
- Heads to 140+ feet

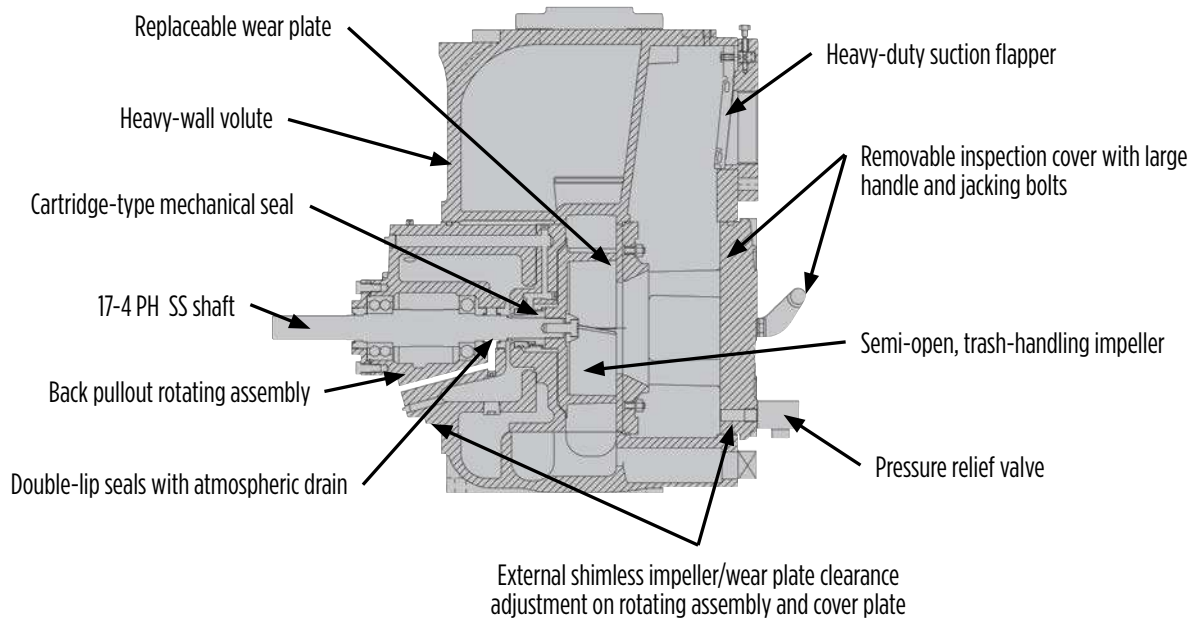
ORDERING INFORMATION

Part No.	Size	Casing Material*	Impeller Material*	Flange/Conn.	Description
24100123	3"	-	Ductile Iron 65-45-12	-	Rotating Assy. GS3087L72-HO
24100124	4"	-	Ductile Iron 65-45-13	-	Rotating Assy. GS4097L72-HO
24100125	6"	-	Ductile Iron 65-45-14	-	Rotating Assy. GS6012L72-HO
24100126	8"	-	Ductile Iron 65-45-15	-	Rotating Assy. GS8014L72-HO
24100127	10"	-	Ductile Iron 65-45-16	-	Rotating Assy. GS10014L72-HO
SPHFGS3-000	3" x 3"	Gray Iron 30	Ductile Iron 65-45-17	ASA	GS3087L72-HO w/Comp. FLGs
SPHFGS4-000	4" x 4"	Gray Iron 31	Ductile Iron 65-45-18	ASA	GS4097L72-HO w/Comp. FLGs
SPHFGS6-000	6" x 6"	Gray Iron 32	Ductile Iron 65-45-19	ASA	GS6012L72-HO w/Comp. FLGs
SPHFGS8-000	8" x 8"	Gray Iron 33	Ductile Iron 65-45-20	ASA	GS8014L72-HO w/Comp. FLGs
SPHFGS10-000	10" x 10"	Gray Iron 34	Ductile Iron 65-45-21	ASA	GS10014L72-HO w/Comp. FLGs

* 304 SS, 316 SS, CD4MCu, and other alloys available



CONSTRUCTION



PERFORMANCE CURVE

